

Omni-ID® Flex 800

Omni-ID Flex 800 is a long read range, global frequency, RFID tag designed with exceptional performance. The Flex 800 tag is well suited to indoor applications where a low cost option is needed anywhere around the world.



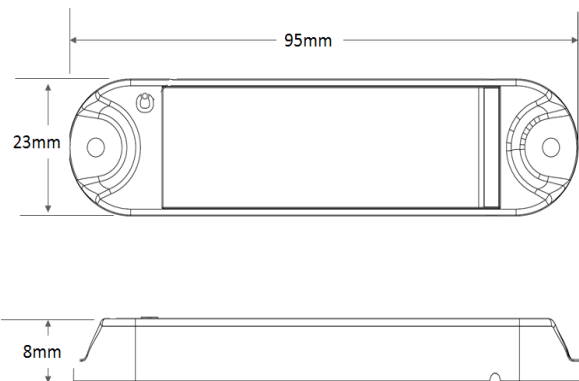
Applications

With its longer read range and consistent Global RF performance, the Flex 800 is ideally suited to applications such as:

- ▶ Manufacturing tote tracking
- ▶ Light outdoor use & RTI
- ▶ Returnable transit items and portal setups
- ▶ Retail supply chain

Physical Specifications

| | |
|------------|--------------------------------|
| Material | ABS with white synthetic label |
| Size (mm) | 95 x 23 x 8.0 |
| Size (in) | 3.74 x .91 x .31 |
| Weight (g) | 13 |



Dimensions stated in mm

RF Specifications

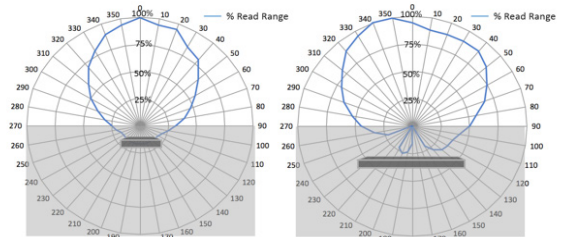
| | |
|---|--|
| Protocol | EPC Class 1 Gen2V2 |
| Frequency Range (MHz) | 860 - 940 (GS) |
| Read Range (Fixed reader) ¹ | |
| On metal | Up to 8.0m |
| Off metal | Up to 6.0m |
| Read Range (Handheld reader) ¹ | |
| On metal | Up to 4.0m |
| Off metal | Up to 3.0m |
| Material Compatibility | Optimized for Metal |
| IC Type (chip) | Impinj Monza 4QT |
| Memory ² | EPC - 128bits User - 512bits UTID - 48bits |

¹Quoted performance achieved using standard testing methodology on aluminium test plates. Read range is dependent on multiple factors such as: RFID reader transmit power and receiver sensitivity, asset material and environment.

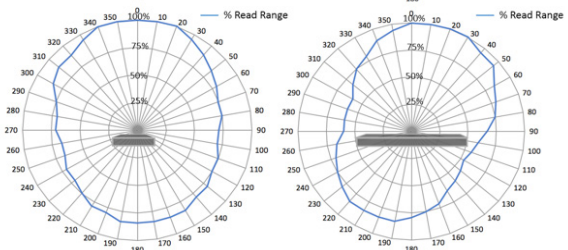
²EPC and User memory are reprogrammable, UTID is locked at point of manufacture by IC manufacturer

Radiation Patterns

On Metal



Off Metal



Related Products and Services

- ▶ **Omni-ID Exo 800** - Extremely durable hard case tag for outdoor and industrial environments
- ▶ **Omni-ID Flex 600**- Low profile, cost effective tag, ideal for office equipment and portal setups.
- ▶ **Omni-ID Flex 1200** - Low cost alternative to hard tags for applications requiring read ranges of up to 12 meters.
- ▶ **Service Bureau** - Omni-ID offers a full service bureau for printing and pre-encoding Omni-ID tags at point of manufacture.



Environmental Specifications

Storage Temperature -40 ° to +85 °C

Operation Temperature -40 ° to +85 °C

Survivability -40 ° to +85 °C

IP Rating IP65

Shock and Vibration MIL STD 810-G

Attachment Mechanical (standard)
Premium foam (option)

Certifications



 RoHS approved
 CE approved
 ATEX/IECEX certified (option)
 US&Canada (C1D1/D2) certified (option)

Warranty 1 year

1. Excludes adhesive options, consult adhesive data sheets for recommended temperature ratings.

Ordering Information

Order code 150 - GS

Order options :303 (Customization)
:304 (ATEX/IECEX certified)
:307 (US&Canada (C1D1/D2) certified)
:701 (Standard Service Bureau)